



GloryandPower.com

# CUSTOM PRODUCTION WORKSHEET

**IMPORTANT INFORMATION!** Look this over carefully! Double check all measurements! This is a custom order and cannot be changed, revised or canceled once placed into production. Please write all measurements in inches. Fill this form out completely and add any additional notes to the bottom of this sheet. Item will be made to match this sheet per your specifications.

## Custom Panel Block

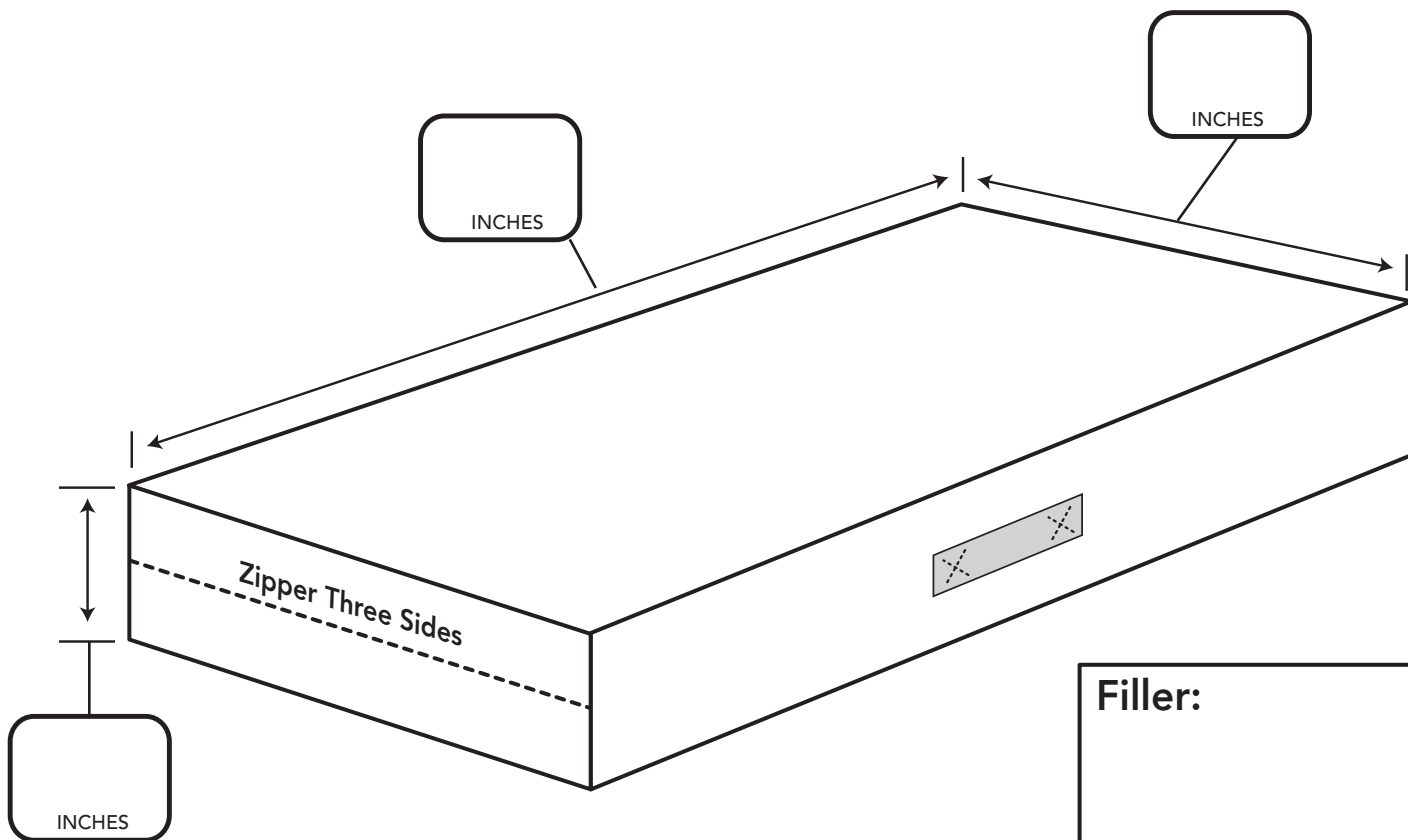
### CUT - SPEC SHEET

Model# \_\_\_\_\_

Description: Custom Panel Block

QTY

- Enter quantity
- Enter size (inches only)
- Enter vinyl color
- Enter name, signature, date



- Solid Vinyl
- One Handle on long side

Filler:

<b>Vinyl Color</b>	Print Your Name _____ Business/Gym _____
	Signature _____ Date _____
	<input checked="" type="checkbox"/> <i>By signing, customer accepts responsibility for the accuracy of the measurements noted on this form. This item may not be returned if correctly provided to customers specification.</i>
	<b>CPW058</b>

Notes